



SAURA № K 3074

SAURA THE BEST MAGNETIC COMPASS

SR-165



Class A Magnetic Compass (IMO/MED)

Saura SR-165 is a Reflector Magnetic Compass designed for sea navigation, complying with the relevant IMO and other major Authority requirements.

COMPASS BOWL

- Precision directional unit design; card dia. 165mm
- Pivot bearings: made of platinum-iridium and sapphire
- Long lasting inner paint finish, without blister, cracks or discoloring over a long period of time
- Unique bowl design to absorb liquid expansion for leakage and air bubble free operation

BINNACLE STAND

- Full deviation correcting facility for B, C and Heeling error compensation, Quadrantal correctors and Flinders bars
- Illumination of compass card with dimmer control
- Dual current power supply: 24VDC & 220 (100/110)VAC
- Light in weight for ease of shipyard installation

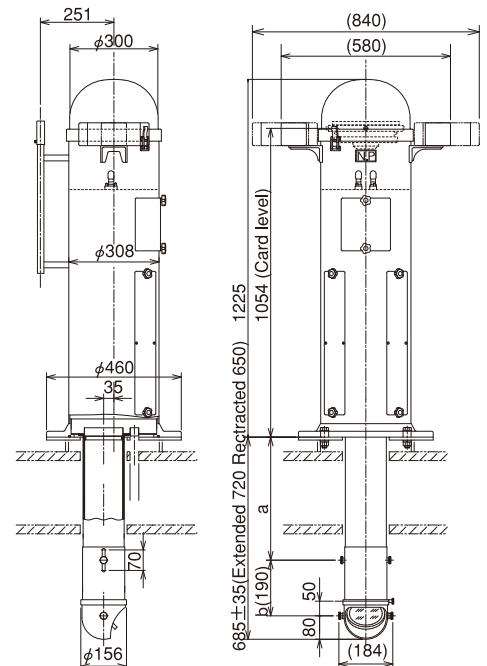
PERISCOPE

- Telescopic length of 680mm as standard with vertical adjustable length ± 35 mm. Its length is determined by $a+b$ (190mm) + 80mm. Longer telescopic is available on request.

INTERNATIONAL TYPE APPROVAL CERTIFICATION

- Type approved to MED and other maritime Authorities; DOT, CCS, RMRS

Standard Specifications	
Type of compass	Reflector compass
Compass bowl	card dia 165mm
Binnacle stand	with top cover
Periscope (a + b)	680mm ± 35 mm as standard
Dimmer control	24VDC and 220 (100/110)VAC
Standard Accessories	
Correcting magnets for B, C and H	10 x strong & 6 x weak
Quadrantal correctors	10 x permalloy plates
Flinders bars	5 x Flinders bars
Shadow pin	Long & short ones with pin stand
Cover sheet	with tie down strings
Installation materials	Gasket, bolts and nuts



Periscope/Viewing mirror



Optional Accessories

Azimuth Reading Device



Spare Compass Bowl



TMC Sensor



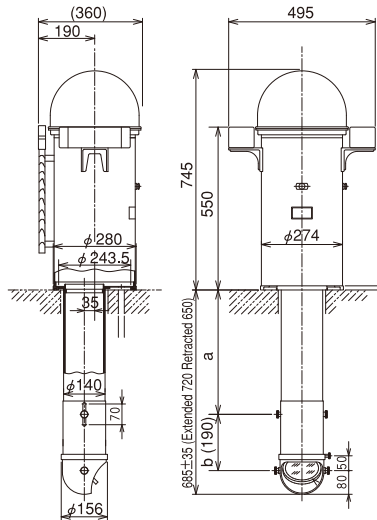
Repeater Compass



Reflector Compass

FOR COMMERCIAL VESSELS & WORK/FISHING BOATS

MR-150 & MR-165C



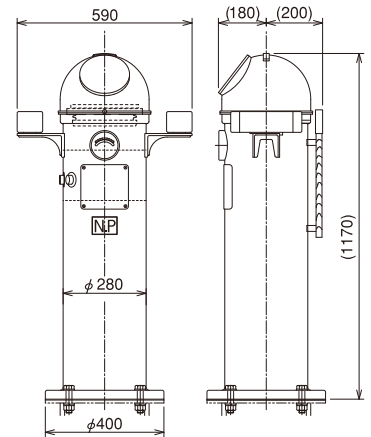
Periscope/Viewing mirror



Azimuth Circle / AC-02

S-165 III

Binnacle Stand Compass



Model	MR-150	MR-165C	S-165 III
Type of compass	Reflector compass	Reflector compass	Binnacle stand compass
Compass bowl	card dia 150mm	card dia 165mm	card dia. 165mm
Binnacle stand		with top cover	with top cover
Periscope/optics		680mm ±35mm	n/a
Dimmer control	24VDC	24VDC & 220 VAC	24VDC & 220VAC
Type approval	DOT, RRR	CCS	DOT, RRR
Standard Accessories			
Deviation correctors	B, C, Heeling, Quadrantal corrector, flinders bar		
Correcting magnets	10 pcs x 6mm dia. by 17mm 6 pcs x 6mm dia. by 45mm		7 pcs x 6 by 35mm 8 pcs x 6 by 45mm
Quadrantal Correctors	10 x pure iron plates		10 x pure iron plates
Flinder's bars	5 x Flinders bars		5 x Flinders bars
Shadow pins	Long and short with pin stand		Long and short with pin stand
Cover sheet	with tie down strings		n/a
Installation materials	Gasket, bolts and nuts		Gasket, bolts and nuts

Steering Compass

FOR COASTAL NAVIGATION

T-150IIF

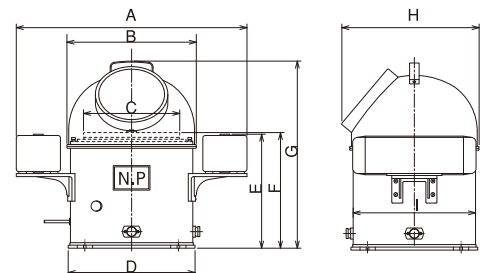
T-130VD / VF T-130VB

Illumination lamp: 24VDC

Deviation correctors: B,C,D and Heeling error

Flinders bars: available for T-150IIF & T-130VF

Type approval: DOT (except for T-130VB) and RRR



Model	Card dia	Illumination	W (mm)	D (mm)	H (mm)	Weight	Type approval
T-150IIF	150mm	on bottom	460	288	390	11 kg	DOT, RRR
T-130VD	130mm	on bottom	430	230	352	6.3 kg	DOT, RRR
T-130VF	130mm	on bottom	430	250	352	6.3 kg	DOT, RRR
T-130VB	130mm	on top	430	230	352	6.3 kg	RRR

Boat Compass



Wooden Box Compass

Model	Card dia	Card lighting	Box size	Weight
B-75S	75 mm	-	163mm sq. x H 73mm	1.3 kg
B-100S	100mm	-	203mm sq. x H 110mm	2.2 kg
B-130S	130mm	-	230mm sq. x H 120mm	3.0 kg
B-150N	150mm	-	277mm sq. x H 145mm	5.9 kg



Brass Binnacle Compass

Model	Card dia	Card lighting	Binnacle size	Weight
P-75L	75 mm	03, 12 or 24VDC	173mm dia. x H 190mm	1.3 kg
P-100S	100mm	24VDC	206mm dia. x H 245mm	2.2 kg
P-130S	130mm	24VDC	248mm dia. x H 260mm	3.0 kg
P-150N	150mm	24VDC	294mm dia. x H 305mm	5.9 kg



B-75LA
Lifeboat Compass

Type approval: DOT
Card dia.: 75mm
Card illumination: 24VDC
Mounting: double gimbaled bracket mount



HB65G II
Handbearing Compass

Card dia.: 65mm
Graduation: 0 – 360° in 2 deg

An aiming and slitted right angle prism fitted on the verge ring for ease of taking bearings of objects.

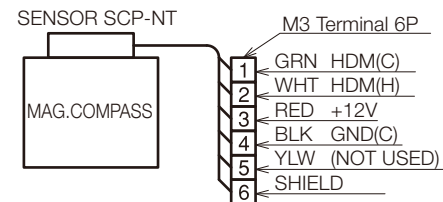
Transmitting Heading Device

TMC Sensor



SCP-NT provides magnetic compass heading reference by serial data in NMEA format for direct connection to navigational instruments. Mounted on top surface of a magnetic compass, it is free from interference from the correcting magnets beneath the compass bowl. Inner trim control allows output off-set adjustment by $\pm 10^\circ$

Power supply : 12 – 15VDC
Current drain : 120mA typical
Output sentence : HDM or HDT (selectable)
Output cycle : 200mS average (fixed)



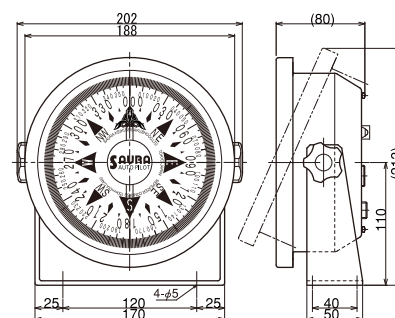
No.3,4 & 2(1) wires to be connected to Nav. Equipment

Repeater Compass



Large easy to read 150mm dia. card with very smooth cog-free movement
Light in weight and low profile design
Back-lit illumination with dimmer control
Unlimited number of slave repeater connections
Direct connection to NMEA TMC sensor without interface
Flush mount model is also available (NRC-150P)

Power supply : 13.8 – 30VDC
Current drain : 200mA nominal, 400mA (max)
Heading input : Sine/Cosine, Saura format signal
NMEA-HDT or HDM
Heading output : NMEA-HDT or HDM, Sine/Cosine



Specifications to change without prior notice

Distributed by:

Manufactured by:

Saura Keiki Seisakusho Co., Ltd.

Steering reliability since 1916

www.saura.jp

339-1 Ohkubo-Ryoke, Sakura-ku, Saitama 338-0825, Japan

Overseas enquiries, please contact:

Tel: +81 3 3256 8549 Fax: +81 3 3256 8540